

## NAVIGATE THE CATALOG BY SECTION

[1](#) [2](#) [3](#) [4](#) [5](#) [6](#) [7](#) [8](#) [9](#) [10](#) [11](#) [12](#) [13](#) [14](#) [15](#) [16](#) [17](#) [18](#) [19](#)

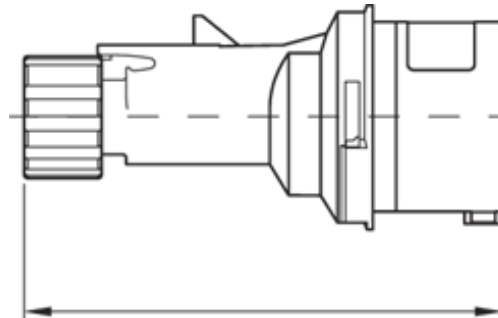


## LAPP ONLINE CATALOG

### EPIC® Pin & Sleeve Connectors

#### 20 Amp: North American Version

MULTIMAX Male Plugs



3 wires= 127 mm (5")  
 4 wires= 134 mm (5.28")  
 5 wires= 142 mm (5.59")

### TECHNICAL DATA

<b>Impact Resistance:</b>	8J
<b>Ambient Temperature:</b>	-25°C to 70°C
<b>Flame Resistance:</b>	
➤ <b>Glow Wire Test: Enclosure:</b>	850°C
➤ <b>Glow Wire Test: Contact Enclosure:</b>	850°C
➤ <b>Self-Extinguishing: Enclosure:</b>	UL94-V2

## PART NUMBERS

Part Number	Voltage	# of Wires	# of Poles	Ground-Clock Position
700124FX	125	3	1+N+PE	4
700126FX	250	3	2+PE	6
700127FX	480	3	2+PE	7
700123FX	250 DC	3	2+PE	3
701132FX	125/250	4	2+N+PE	12
700139FX	3Ø250	4	3+PE	9
700137FX	3Ø480	4	3+PE	7
700135FX	3Ø600	4	3+PE	5
700149FX	3ØY 120/208	5	3+N+PE	9
700147FX	3ØY 277/480	5	3+N+PE	7
700145FX	3ØY 347/600	5	3+N+PE	5
700142FX	50-250 (500 Hz)	5	3+N+PE	2

## MATING COMPONENTS

- [MULTIMAX Female Connector with Cable Sleeve, IP 44](#)
- [CEE Straight Female Panel Mount Receptacle, IP 44](#)
- [CEE 75° Female Internal Surface Mount Receptacle, IP 44](#)



**DOWNLOAD PDF CATALOG PAGE**

**LAPP USA • LAPP CANADA • LAPP MEXICO**  
 Headquarters: 29 Hanover Road, Florham Park, NJ 07932  
 800-774-3539 • FAX: 973-660-9330 • sales@lappusa.com